



VIVID ENERGIES

LED Lighting Solutions For Our Future And Your Bottom Line



Type:
Project:
Description:

LED

Recessed Flat Panel - 2x2, 2x4, 1x4



Up To
149
Lumens Per Watt

FEATURES

- Sleek design with visual comfort and great performance
- Industry Leading Rated Lifetime Output 90% at 54,000 Hours (2600 Annual Operating Hours = 20+ Year Predicted Lifespan)
- Housing: UV Resistant, Aluminum Frame, Zinc Coated Iron

2x2 SPECIFICATIONS

Model Number	Dimensions	CRI	Wattage	Efficacy (LPW)	Power Factor	Dimming
VIV-FP	2'x2'	80.5	Fixed: 30W, 35W, 40W Switchable: 30/35/40W	30W - 149 LPW 35W - 149 LPW 40W - 147 LPW	0.89	0-10V Available Option

2x2 ORDERING GUIDE

Sample Number: VIV-FP-2x2-30W-UNV-41K



Vivid: **VIV-FP**

Size: **2x2** - 2' x 2'

Wattage: **30W, 35W, 40W, SW** - Switchable 30/35/40W

Voltage: **UNV** - 120V, 277V

CCT: **30K** - 3000K, **35K** - 3500K, **41K** - 4100K, **50K** - 5000K

Options: **EM** - 90 Minute External Battery, **IMDS** - Internal Microwave/Daylight Sensor

EPDS - External PIR/Daylight sensor, **MSRC** - Microwave Sensor Remote Control

PIRRC - PIR Sensor Remote Control, **DIM** - 0-10V Available, **SMKIT-2x2** - Surface Mount Kit





VIVID ENERGIES

LED Lighting Solutions For Our Future And Your Bottom Line



Type:
Project:
Description:

LED

2x4 SPECIFICATIONS

Model Number	Dimensions	CRI	Wattage	Efficacy (LPW)	Power Factor	Dimming
VIV-FP	2'x4'	>80	Fixed: 40W, 50W Switchable: 40/50/60W	40W - 149 LPW 50W - 149 LPW 60W - 148 LPW	0.92	0-10V Available Option

2x4 ORDERING GUIDE

Sample Number: VIV-FP-2x4-40W-UNV-35K



Vivid: **VIV-FP**
 Size: **2x4** - 2' x 4'
 Wattage: **40W, 50W, SW** - Switchable 40/50/60W
 Voltage: **UNV** - 120V, 277V
 CCT: **30K** - 3000K, **35K** - 3500K, **41K** - 4100K, **50K** - 5000K
 Option: **EM** - 90 Minute External Battery, **IMDS** - Internal Microwave/Daylight Sensor, **EPDS** - External PIR/Daylight Sensor, **MSRC** - Microwave Sensor Remote Control, **PIRRC** - PIR Sensor Remote Control, **DIM** - 0-10V Available, **SMKIT-2x4** - Surface Mount Kit



1x4 SPECIFICATIONS

Model Number	Dimensions	CRI	Wattage	Efficacy (LPW)	Power Factor	Dimming
VIV-FP	1'x4'	>80	Fixed Wattage: 30W	30W - 149 LPW	0.92	0-10V Available Option

1x4 ORDERING GUIDE

Sample Number: VIV-FP-1x4-30W-UNV-41K



Vivid: **VIV-FP**
 Size: **1x4** - 1' x 4'
 Wattage: **40W**
 Voltage: **UNV** - 120V, 277V
 CCT: **30K** - 3000K, **35K** - 3500K, **41K** - 4100K, **50K** - 5000K
 Option: **EM** - 90 Minute External Battery, **IMDS** - Internal Microwave/Daylight Sensor, **EPDS** - External PIR/Daylight Sensor, **MSRC** - Microwave Sensor Remote Control, **PIRRC** - PIR Sensor Remote Control, **DIM** - 0-10V Available, **SMKIT-1x4** - Surface Mount K





VIVID ENERGIES

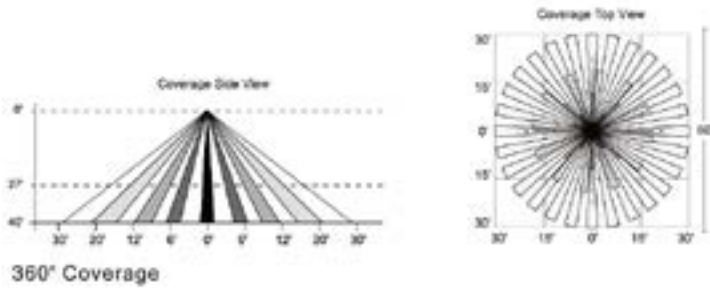
LED Lighting Solutions For Our Future And Your Bottom Line



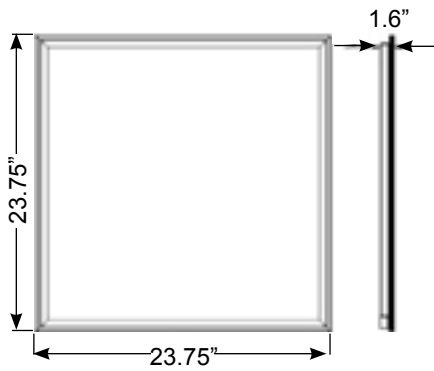
Type:
Project:
Description:

LED

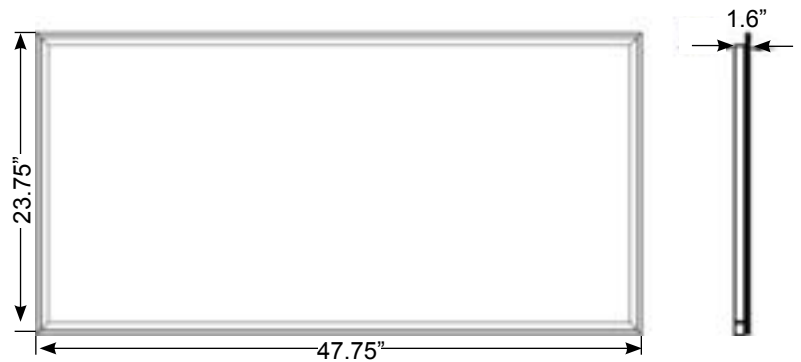
PIR SENSOR COVERAGE



2x2 DIMENSIONS



2x4 DIMENSIONS



1x4 DIMENSIONS

