



VIVID ENERGIES

LED Lighting Solutions For Our Future And Your Bottom Line



Type:
Project:
Description:

LED

# Tri-Proof Wash Down NSF Linear



150 Lumens Per Watt

## FEATURES

# IP66 & NSF Certified

- Fixture is durable, waterproof, dustproof, and NSF/ANSI 2 certified
- Applications include meat processing, chemical, and beverage facilities
- Fixtures approved for food zone (non-contact), splash zone, and non-food zone
- Working temperature as low as -40°~50° C
- IK10: Highest impact protection
- Easy installation, linkable, and able to rotate

5 Year Warranty

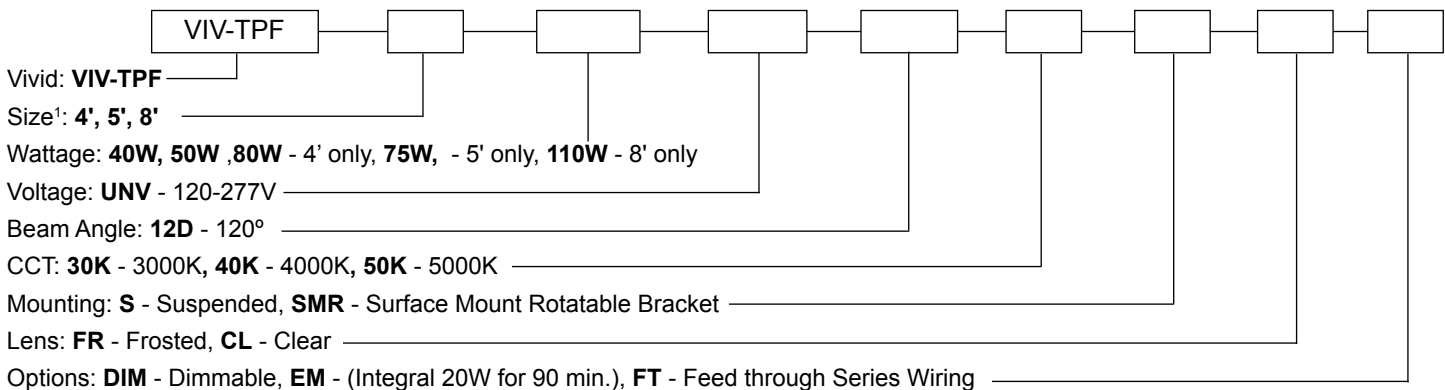
IP66 IK10

## SPECIFICATIONS

Model Number	Wattage	Input Voltage	CRI	CCT	PF	Beam Angle	Lens
VIV-TPF-4ft	40W, 50W, 80W	120V-277V	>80	3000K 4000K 5000K	>0.90	120°	Frosted or Clear
VIV-TPF-5ft	75W						
VIV-TPF-8ft	110W						

## ORDERING GUIDE

Sample Number: VIV-TPF-4-80W-UNV-12D-50K-S-FR-DIM



<sup>1</sup> Refer to chart for specific wattage based on size



VIVID ENERGIES

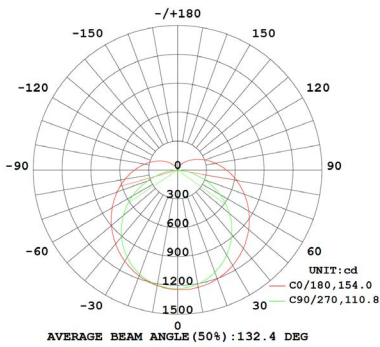
LED Lighting Solutions For Our Future And Your Bottom Line



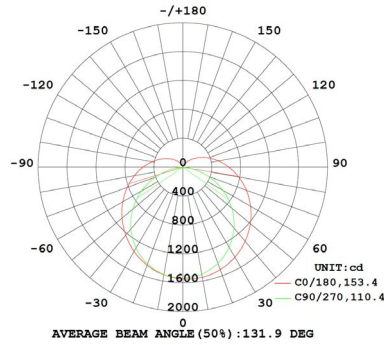
Type:
Project:
Description:

LED

### PHOTOMETRY

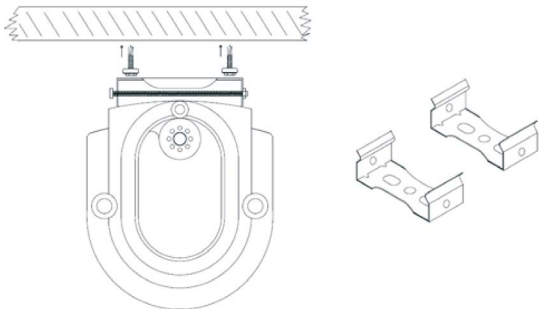


40W

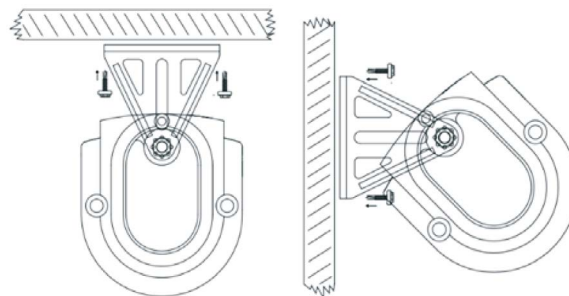


50W

### MOUNTING

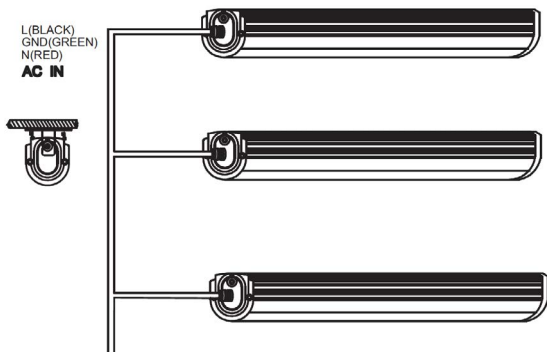


Suspended

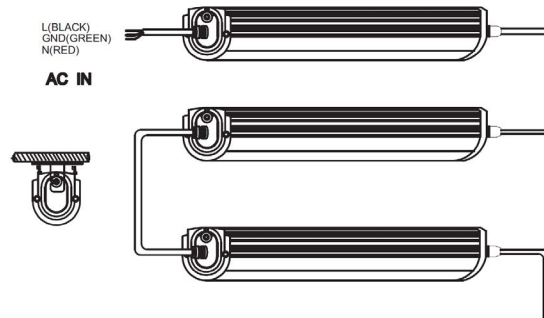


Surface Mount Rotatable

### WIRING



Parallel (Standard)



Option - Feed through (Series)