



VIVID ENERGIES

LED Lighting Solutions For Our
Future And Your Bottom Line



Type:
Project:
Description:

LED

T5 LED Double Ended Bypass Lamp



Up To
172
Lumens Per Watt

L90 at 54,000 hours
Solid Pins = Robust Connection

FEATURES

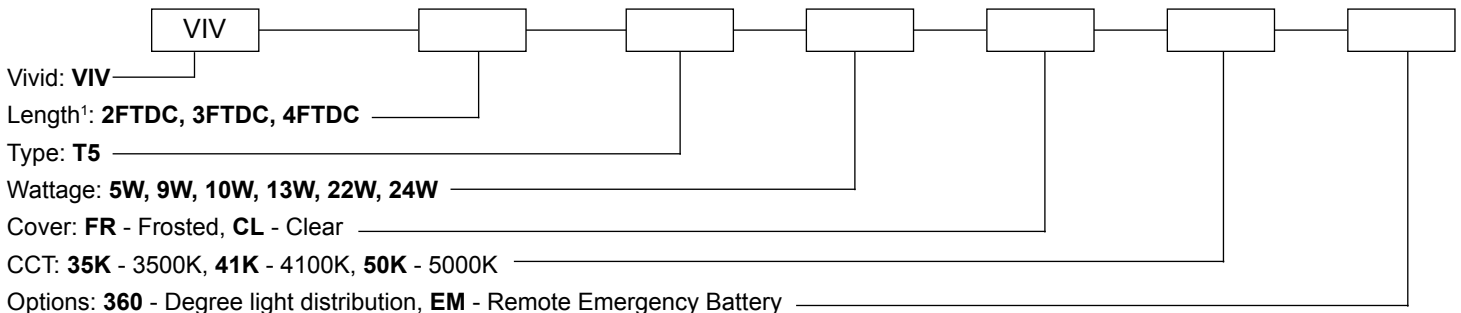
- 180 degree light distribution
- Aviation aluminum heatsink
- Solid pins ensure best performance (*Market standard is hollow pins*)
- Power factor >0.90 (*Market standard of 0.87*)
- Driver capacitor lifespan predicted at 100,000 hours and tested in both high and low humidity conditions (*Market Standard is 50,000 hours*)

SPECIFICATIONS

Model Number	Nominal Length	Wattage	CRI	Efficacy (LPW)	Power Factor	Dimming
VIV	2'	5W, 9W	83-84	169-172	>0.9	None
	3'	13W				
	4'	10W, 22W, 24W				

ORDERING GUIDE

Sample Number: VIV-4FTDC-T5-10W-FR-35K-360



¹ See specifications table for length and wattage options